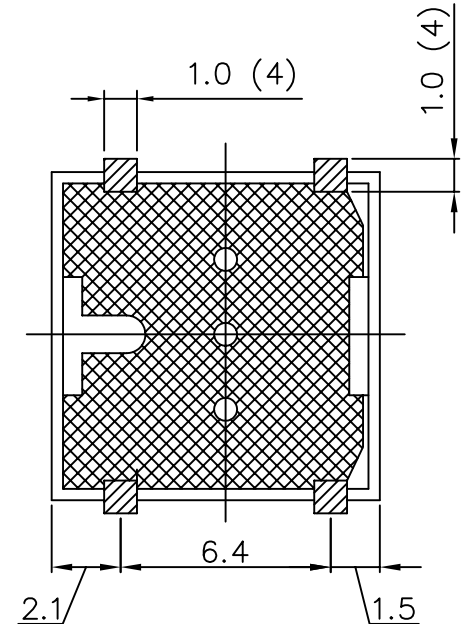
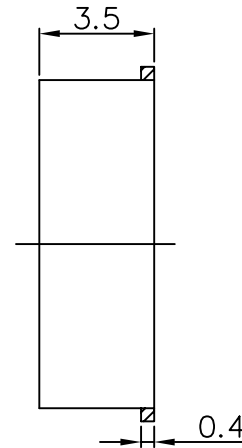
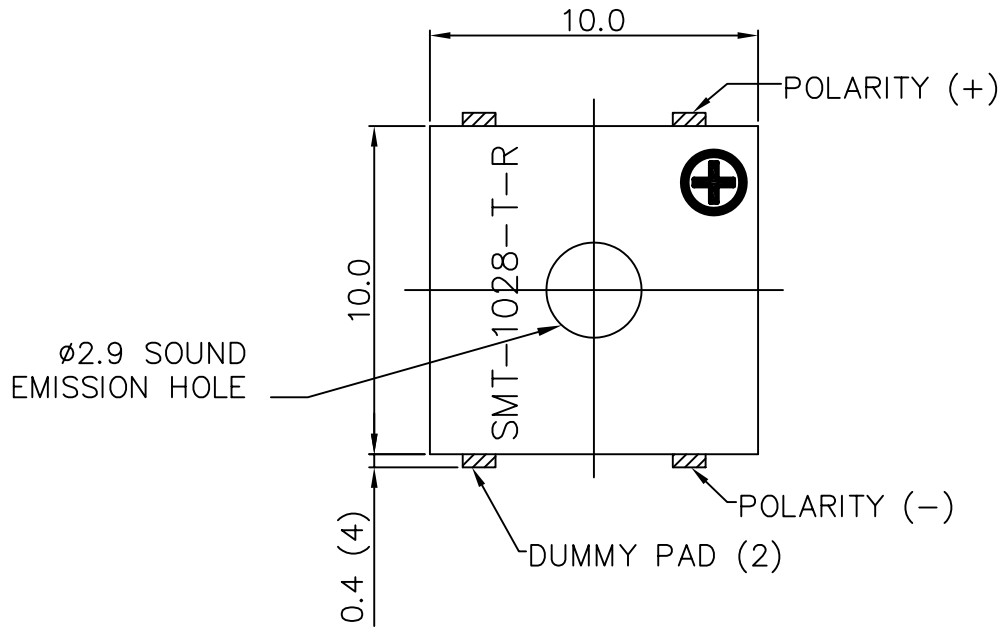


THIS DOCUMENT CONTAINS DATA PROPRIETARY TO PROJECTS UNLIMITED, INC. ANY USE OR REPRODUCTION, IN ANY FORM, WITHOUT PRIOR WRITTEN PERMISSION OF PROJECTS UNLIMITED, INC. IS PROHIBITED.
© 2003, Projects Unlimited Inc.

SPECIFICATIONS

PARAMETERS	VALUES	UNITS
RATED VOLTAGE (SQUARE WAVE)	3.6	Vp-p
OPERATING VOLTAGE RANGE	3 ~ 4.6	Vp-p
RATED CURRENT (MAX)	100	mA
COIL RESISTANCE	18±5	OHM
MINIMUM SPL @ 10 CM	90	dBA
RESONANT FREQUENCY	2,830±500	Hz
OPERATING TEMPERATURE	-20 ~ +70	°C
STORAGE TEMPERATURE	-40 ~ +85	°C
HOUSING MATERIAL	PA46	-
TERMINAL MATERIAL	Au PLATED COPPER	-
WEIGHT	1.0	grams


REVISIONS			
LTR	DESCRIPTION	DATE	APPROVED
-	RELEASED FROM ENGINEERING	8/30/05	
A	REVISED TERMINAL MATERIAL	1/20/06	B.R.



NOTES:

1. ALL DIMENSIONS ARE IN MILLIMETERS.
2. SPECIFICATION SUBJECT TO CHANGE OR WITHDRAWAL WITHOUT NOTICE.
3. THIS PART IS RoHS 2002/95/EC COMPLIANT.

FILE NAME
SMT-1028-T-R.DWG

UNLESS OTHERWISE SPECIFIED: DIMENSIONS ARE IN MILLIMETERS, TOLERANCES ARE ±0.5 AND ANGLES ARE ±3°.		 projects® unlimited Dayton, Ohio									
<table border="1"> <tr> <th>APPROVALS</th> <th>DATE</th> </tr> <tr> <td>DRAWN <i>J.A.F.</i></td> <td>8/05</td> </tr> <tr> <td>APPROVED <i>E.P.</i></td> <td>8/05</td> </tr> <tr> <td><i>B.R.</i></td> <td>8/05</td> </tr> </table>		APPROVALS	DATE	DRAWN <i>J.A.F.</i>	8/05	APPROVED <i>E.P.</i>	8/05	<i>B.R.</i>	8/05	SURFACE MOUNT TRANSDUCER SMT-1028-T-R	
APPROVALS	DATE										
DRAWN <i>J.A.F.</i>	8/05										
APPROVED <i>E.P.</i>	8/05										
<i>B.R.</i>	8/05										
SIZE A	DRAWING NO. SMT-1028-T-R										
DO NOT SCALE DRAWING		SCALE: N.T.S.	SHEET 1 OF 1								